

SA-25

"STAND-AER™"

STAND ON AERATOR

(S.N. 100 and Up)

Parts List



CLASSEN[®]
MANUFACTURING, INC.

1401 Logan St.

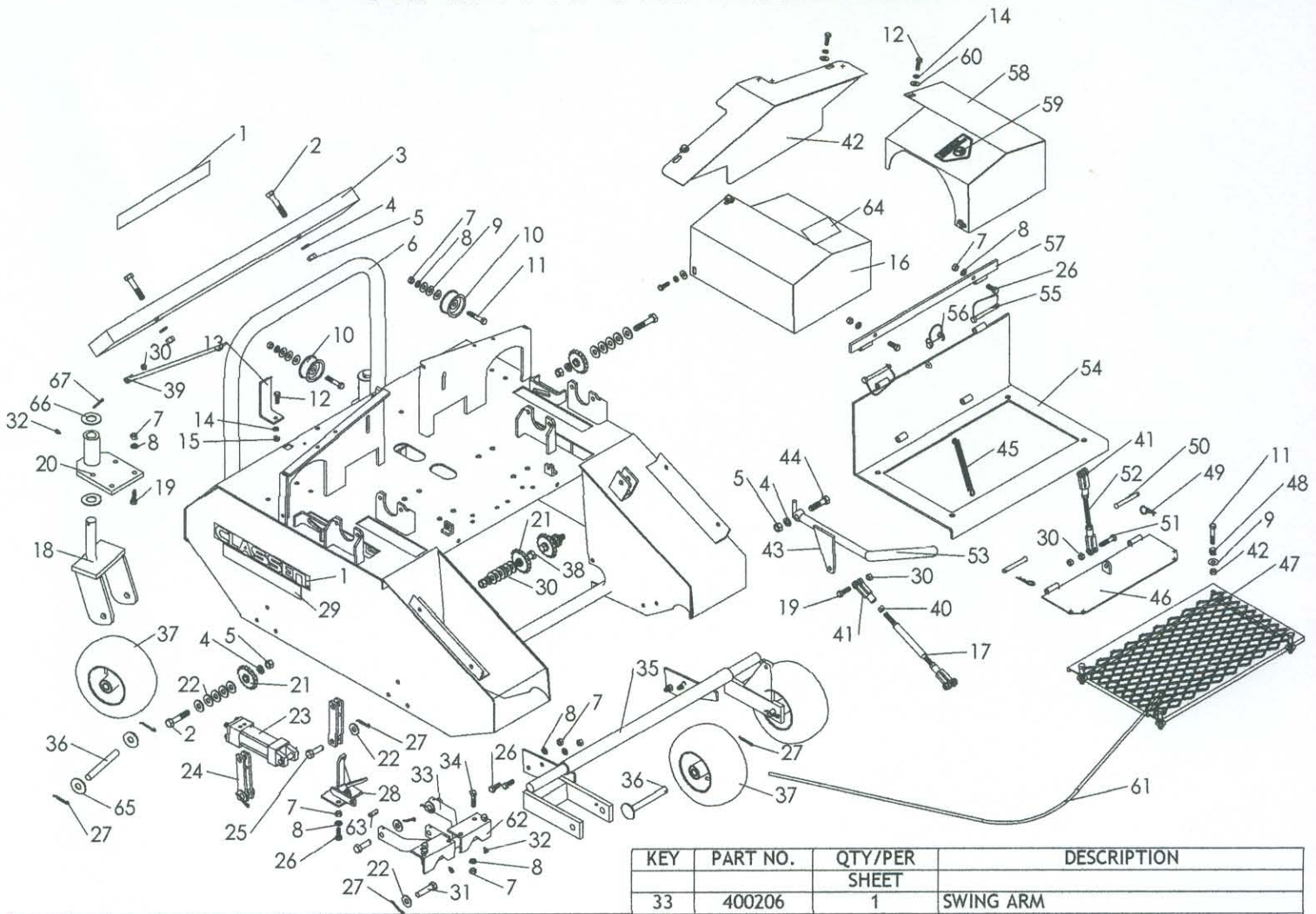
Norfolk, NE 68701

Telephone (402) 371-2294

FAX (402) 371-3602

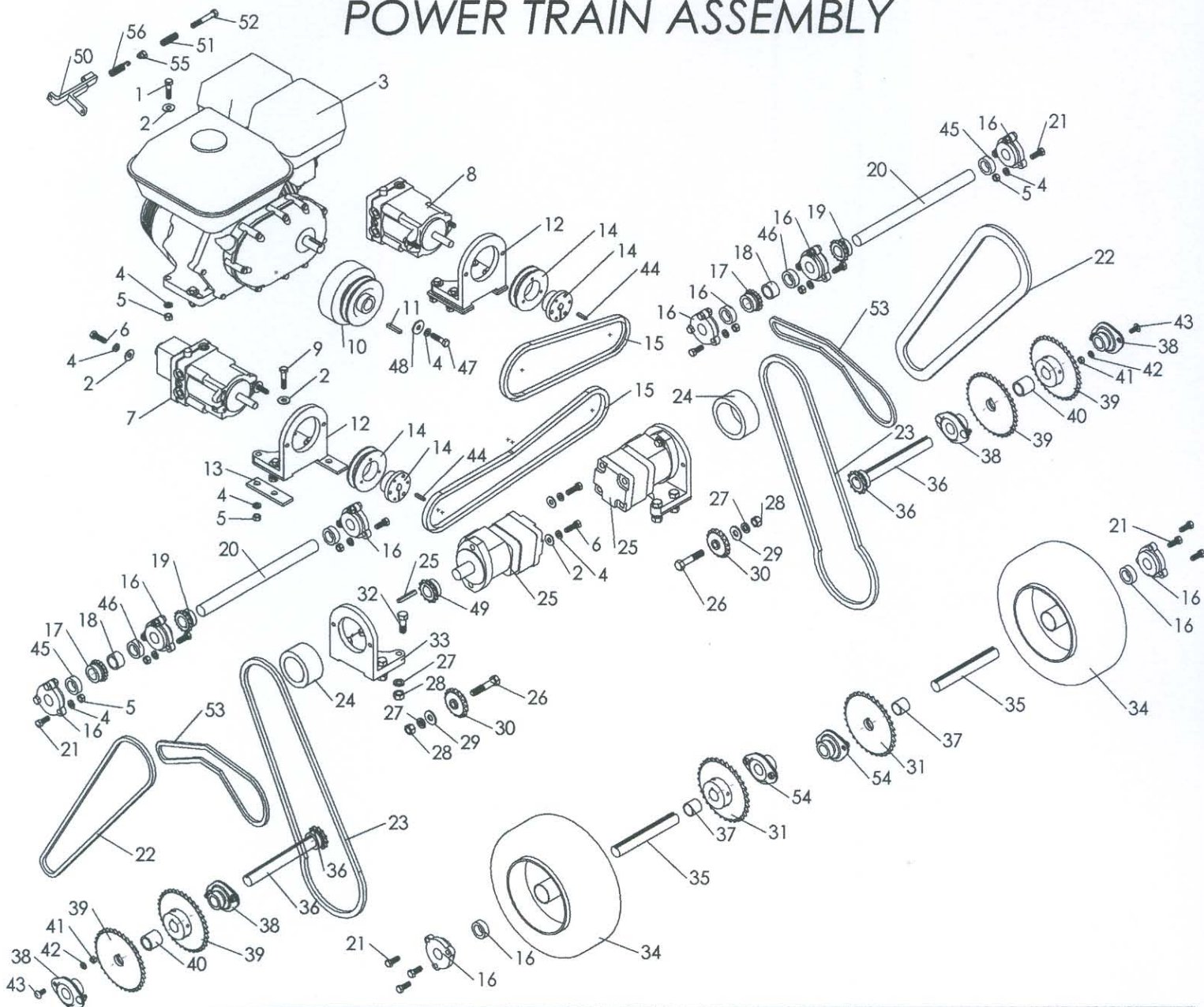
www.classen-mfg.com

MAIN FRAME ASSEMBLY



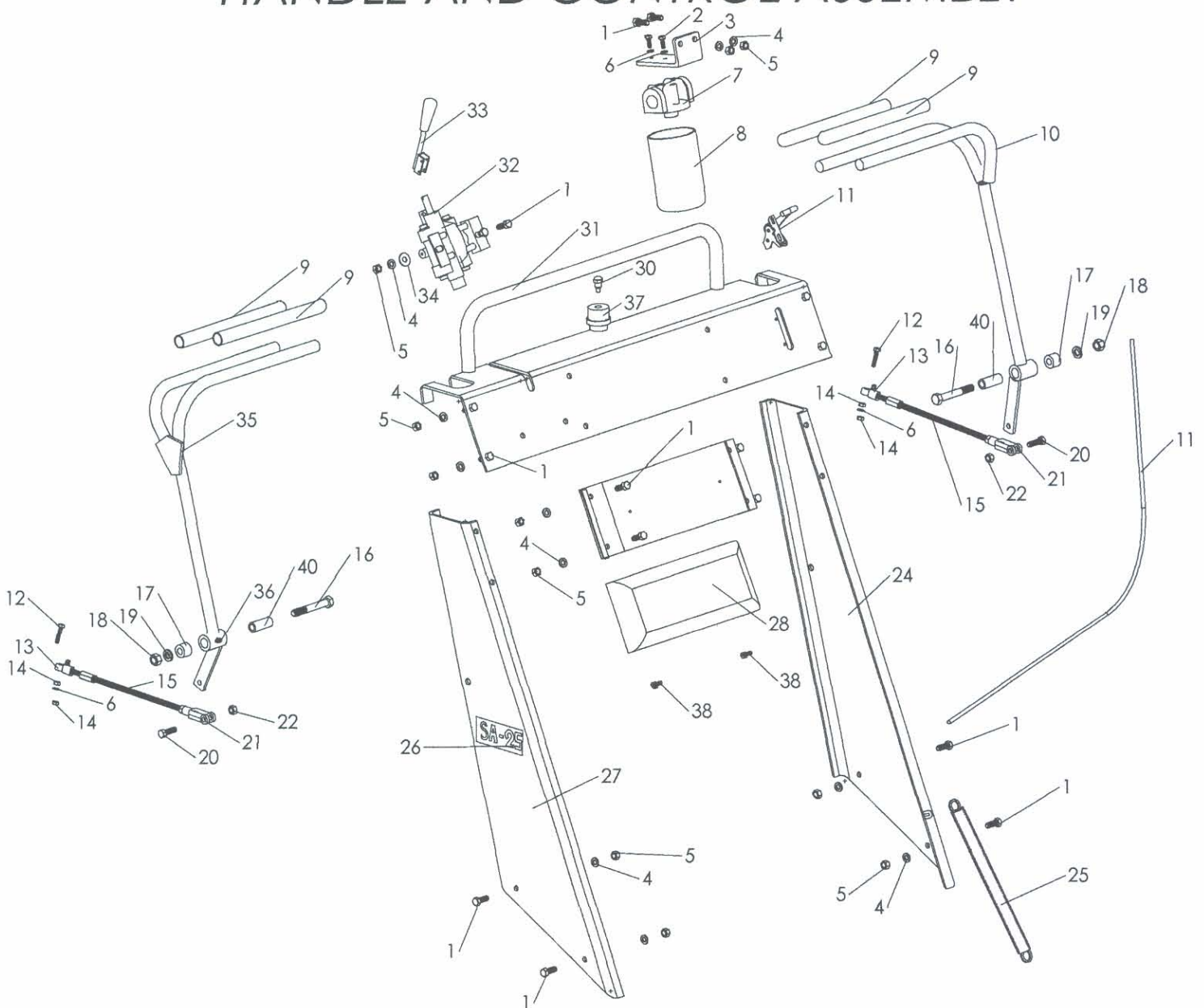
KEY	PART NO.	QTY/PER SHEET	DESCRIPTION	KEY	PART NO.	QTY/PER SHEET	DESCRIPTION
				33	400206	1	SWING ARM
				34	500146	4	3/8" x 1-1/2" BOLT
				35	400213	1	REAR TIRE FRAME
				36	100361	4	REAR WHEEL AXLE
1	100074	3	DECAL, "CLASSEN"	37	100017	4	TIRE & WHEEL ASSEMBLY, 9x350x4
2	500135	4	1/2" x 2-1/2" BOLT	38	500152	2	1/2" x 2-3/4" BOLT
3	300121	1	WEIGHT BAR	39	400216	1	DEPTH GAUGE ROD
4	500006	7	1/2" LOCK WASHER	40	500025	4	3/8" FINE THREAD NUT
5	500106	5	1/2" NUT	41	500026	4	3/8" CLEVIS YOKE
6	400208	1	SA-25 MAIN FRAME	42	400201	1	CENTER PULLEY GUARD
7	500129	22	3/8" NUT	43	400215	1	LINKAGE ARM HANDLE
8	500130	22	3/8" LOCK WASHER	44	500149	1	1/2" x 2" BOLT
9	500042	10	3/8" FLAT WASHER	45	500019	1	SMALL HANDLE SPRING
10	100010	2	IDLER PULLEY	46	400210	1	THROTTLE PLATE
11	500091	6	3/8" x 2" BOLT	47	400211	1	PLATFORM
12	500133	7	5/16" x 1" BOLT	48	500065	4	COMPRESSION SPRING
13	300119	1	DEPTH GAUGE PLATE	49	500092	2	HAIR PIN
14	500115	6	5/16" LOCK WASHER	50	100363	2	3/8" x 3" CLEVIS PIN
15	500101	1	5/16" NUT	51	500079	1	3/8" x 1-3/4" BOLT
16	400203	1	LEFT HANDLE GUARD	52	100360	1	READY ROD
17	400217	1	REAR WHEEL LINKAGE ARM	53	100352	1	HANDLE GRIPS, 11" x 1"
18	400226	2	FRONT WHEEL ASSEMBLY	54	400212	1	PLATFORM MOUNT
19	500134	10	3/8" x 1-1/4" BOLT	55	100346	2	3/8" SNAP PIN
20	400227	2	FRONT WHEEL PLATE	56	100381	1	3/8" SNAP LOCK PIN, SMALL
21	100043	4	IDLER SPROCKET	57	400220	1	PLATFORM MOUNT ASSEMBLY
22	500034	25	1/2" FLAT WASHER	58	400202	1	RIGHT HANDLE GUARD
23	100365	1	CYLINDER	59	100069	1	DECAL, "DANGER"
24	400214	2	PIVOT FLAT	60	500083	6	5/16" FLAT WASHER
25	500228	4	1/2" x 1-1/2" BOLT w/HOLE	61	100442	1	GOVERNOR CABLE w/CONNECTING ENDS
26	500043	8	3/8" x 1" BOLT	62	300130	1	SWING ARM MOUNT
27	500016	13	5/32" x 1-1/4" COTTER PIN	63	500232	1	3/8" STUD
28	400218	1	SWIVEL PLATE	64	100096	1	DECAL, "ALL GUARDS"
29	100380	2	DECAL, "STAND-AER"	65	500053	4	5/8" FLAT WASHER
30	500041	8	3/8" LOCK NUT	66	300131	4	2" MACHINERY WASHER
31	500230	1	1/2" x 2" BOLT w/HOLE	67	500182	2	3/16" x 1-1/2" COTTER PIN
32	500001	6	1/4" x 28 GREASE FITTING				

POWER TRAIN ASSEMBLY



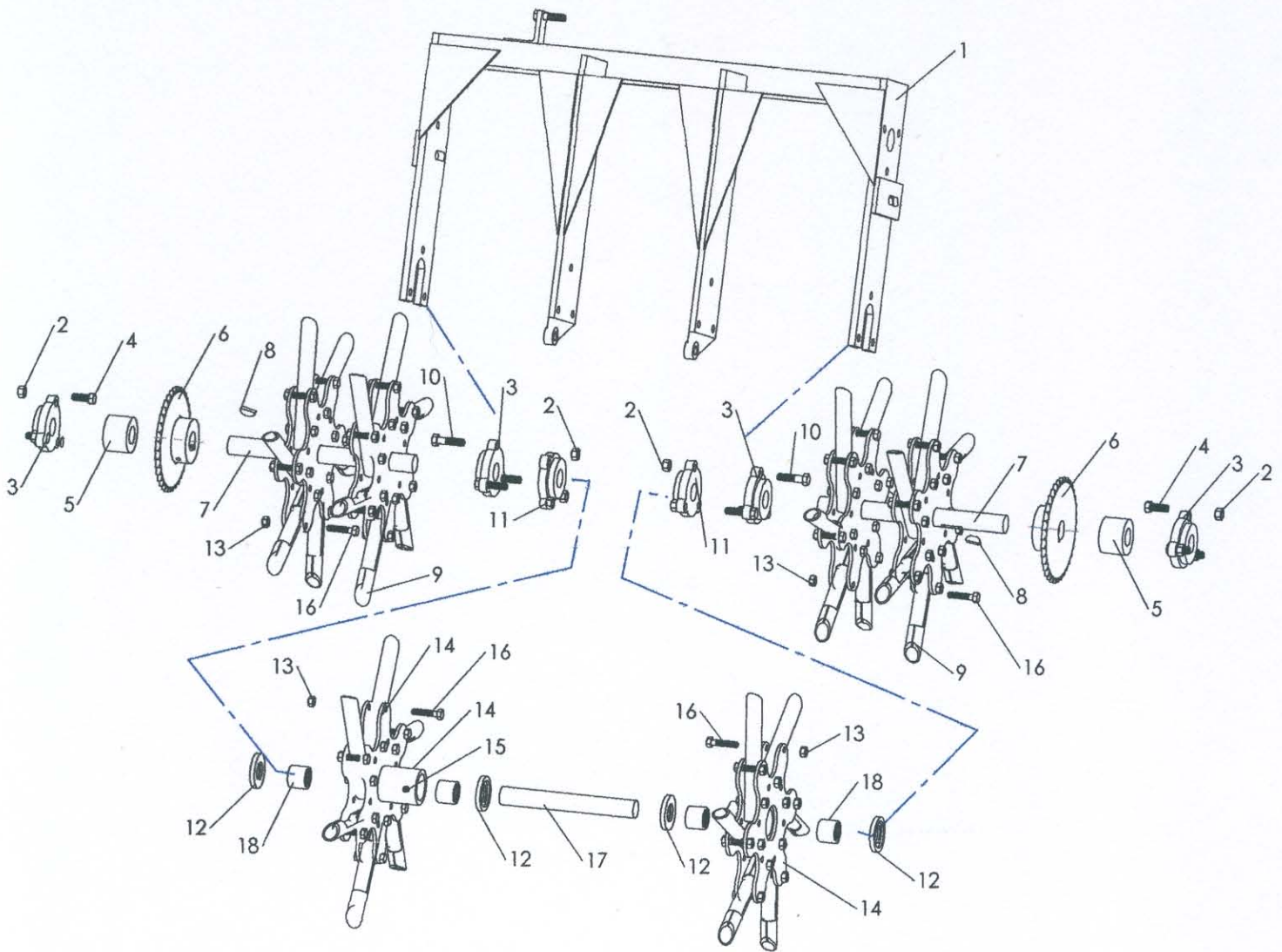
KEY	PART NO.	QTY/PER SHEET	DESCRIPTION	KEY	PART NO.	QTY/PER SHEET	DESCRIPTION
1	500146	4	3/8" x 1-1/2" BOLT	29	500034	2	1/2" FLAT WASHER
2	500042	20	3/8" FLAT WASHER	30	100043	2	IDLER SPROCKET
3	100377	1	13 HP HONDA ENGINE	31	100389	2	32 TOOTH SPROCKET
4	500130	34	3/8" LOCK WASHER	32	500150	8	1/2" x 1-1/2" BOLT
5	500129	38	3/8" NUT	33	100367	2	MOTOR MOUNT
6	500134	8	3/8" x 1-1/4" BOLT	34	100388	2	LARGE REAR WHEEL
7	100374	1	LEFT SIDE HYDRAULIC PUMP	35	200048	2	1" x 7" REAR WHEEL SHAFT
8	100373	1	RIGHT SIDE HYDRAULIC PUMP	36	400222	2	1" SHAFT w/B12 x 1" SPROCKET
9	500079	8	3/8" x 1-3/4" BOLT	36	300127	2	SPACER COLLAR
10	100382	1	CLUTCH	38	100248	4	BEARING w/COLLAR, 1" 2-BOLT FLANGETTE
11	500181	1	1/4" x 1-1/2" KEY	39	200009	4	SPROCKET w/1" HUB, #40X36
12	100378	2	PUMP MOUNT	40	300124	2	JACKSHAFT SPACER
13	300118	4	PUMP BRACKET SPACER	41	500101	8	5/16" NUT
14	100315	2	1B-34 PULLEY	42	500115	8	5/16" LOCK WASHER
15	100371	2	6941 V-BELT	43	500163	8	5/16" x 3/4" CARRIAGE BOLT
16	100155	8	BEARING w/COLLAR, 1" 3-BOLT	44	500229	2	5 mm KEY
17	100386	2	40 B-17 SPROCKET	45	300129	2	SPACER
18	300125	2	3/4" x 1.3125 O.D. SPACER	46	100418	2	SPLIT LOCK COLLAR
19	100385	2	40 B-16 SPROCKET	47	500233	1	3/8" x 1-1/2" FINE BOLT
20	200047	2	1" x 13-1/2" SHAFT	48	500148	1	3/8" HEAVY WASHER
21	500043	24	3/8" x 1" BOLT	49	100429	2	50 x 12 SPROCKET
22	200049	2	CHAIN, 102 ROLLER + 1/2	50	400219	1	ENGINE BRACKET
23	200050	2	CHAIN, 104 ROLLERS	51	100364	1	#12 SPRING
24	200051	2	CHAIN, COUPLER w/CONN LINKS	52	100363	1	3/8" x 3" CLEVIS PIN
25	100370	2	HYDRAULIC MOTOR, w/ 1/4" x 1" KEY	53	200052	2	CHAIN, 68 ROLLERS
26	500135	2	1/2" x 2-1/2" BOLT	54	100438	2	BEARING w/SET SCREW 1" 2 BOLT FLANGETTE
27	500006	10	1/2" LOCK WASHER	55	400225	1	3/8" LOCK NUT RING
28	500106	10	1/2" NUT	56	100035	1	THROTTLE CABLE CONNECTING SPRING

HANDLE AND CONTROL ASSEMBLY



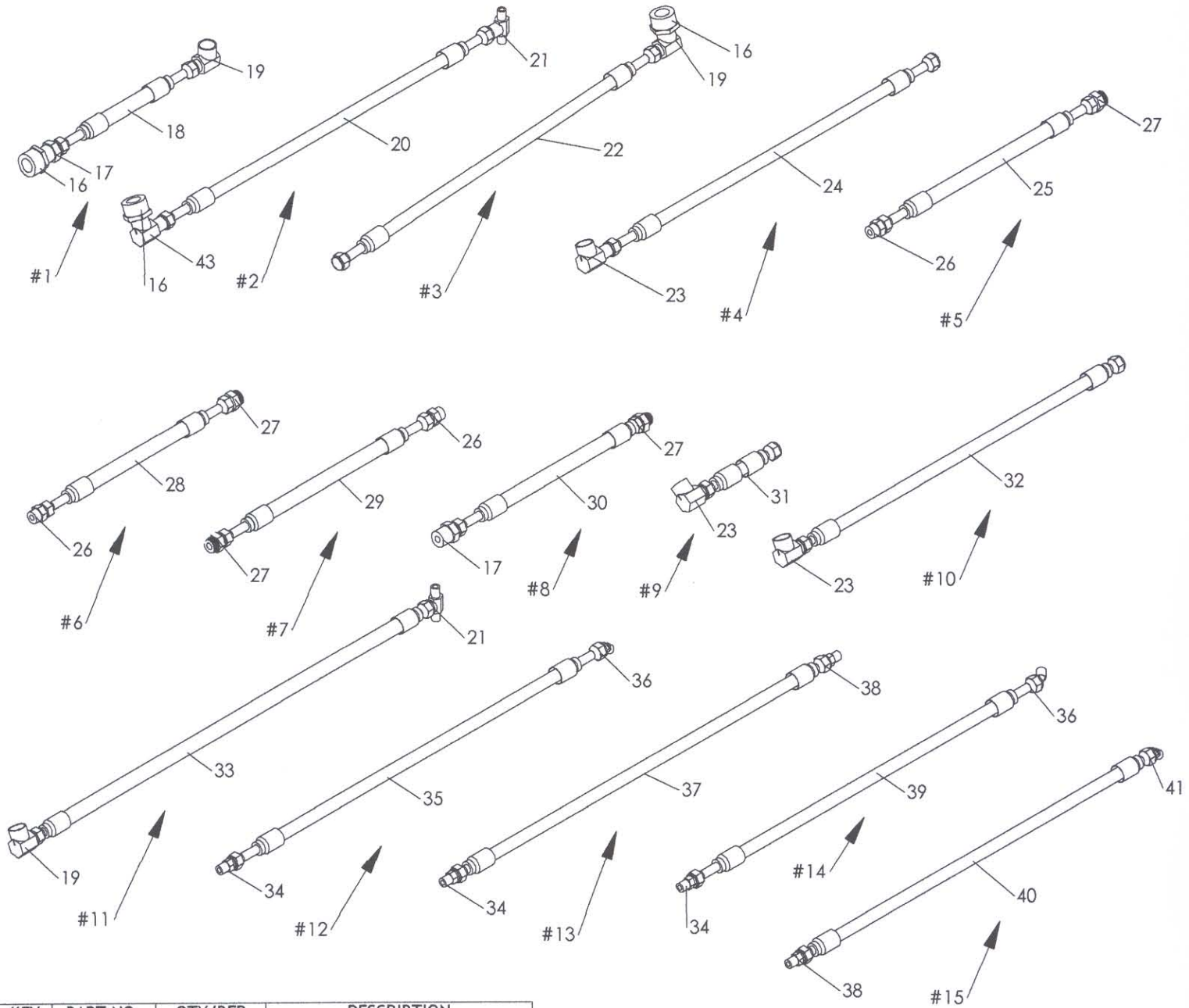
KEY	PART NO.	QTY/PER SHEET	DESCRIPTION	KEY	PART NO.	QTY/PER SHEET	DESCRIPTION
1	500043	16	3/8" x 1" BOLT	24	400198	1	RIGHT SIDE HANDLE
2	500029	2	1/4" x 3/4" BOLT	25	100012	1	SPRING
3	300120	1	FILTER MOUNT BRACKET	26	100350	2	SA-25 DECAL
4	500130	16	3/8" LOCK WASHER	27	400197	1	LEFT SIDE HANDLE
5	500129	16	3/8" NUT	28	100351	1	STOMACHE GUARD PAD
6	500137	4	1/4" LOCK WASHER	29	300114	1	STOMACHE GUARD PLATE
7	100366	1	FILTER MOUNT	30	100353	1	VENT PLUG
8	100369	1	OIL FILTER	31	400196	1	TOP MAIN HANDLE
9	100352	4	HANDLE GRIPS, 11" x 1"	32	100375	1	CONTROL VALVE
10	400200	1	RIGHT HANDLE CONTROL	33	100376	1	CONTROL VALVE HANDLE
11	100368	1	THROTTLE CABLE	34	500042	2	3/8" FLAT WASHER
12	500073	2	5/16" x 1-1/4" BOLT	35	400199	1	LEFT HANDLE CONTROL
13	100354	2	FEMALE ROD END w/ZERK	36	500001	2	1/4" x 28 GREASE FITTING
14	500101	4	5/16" NUT	37	300135	1	CAP, HYDRAULIC
15	400207	2	READY ROD, 3/8" x 5/16"	38	500234	2	1/4" x 3/4" LAG BOLT
16	500158	2	1/2" x 3-1/2" BOLT	39	100425	1	DECAL, "TINE DEPTH" (NOT SHOWN)
17	300117	2	BUSHING	40	600001	2	STEELE SLEEVE
18	500106	2	1/2" NUT	41	100421	1	DECAL, "RIGHT, FORWARD-REVERSE" (NOT SHOWN)
19	500006	2	1/2" LOCK WASHER	42	100422	1	DECAL, "LEFT, FORWARD-REVERSE" (NOT SHOWN)
20	500134	2	3/8" x 1-1/4" BOLT	43	100423	1	DECAL, "TINE, UP-DOWN" (NOT SHOWN)
21	500026	2	3/8" CLEVIS YOKE	44	100424	1	DECAL, "THROTTLE, FAST-SLOW" (NOT SHOWN)
22	500041	2	3/8" LOCK NUT	45	100055	1	DECAL, "SERIAL TAG" (NOT SHOWN)
23	500025	2	3/8" FINE THREAD NUT	46	100073	1	LUBRICATION TAG (NOT SHOWN)

TINE FRAME ASSEMBLY



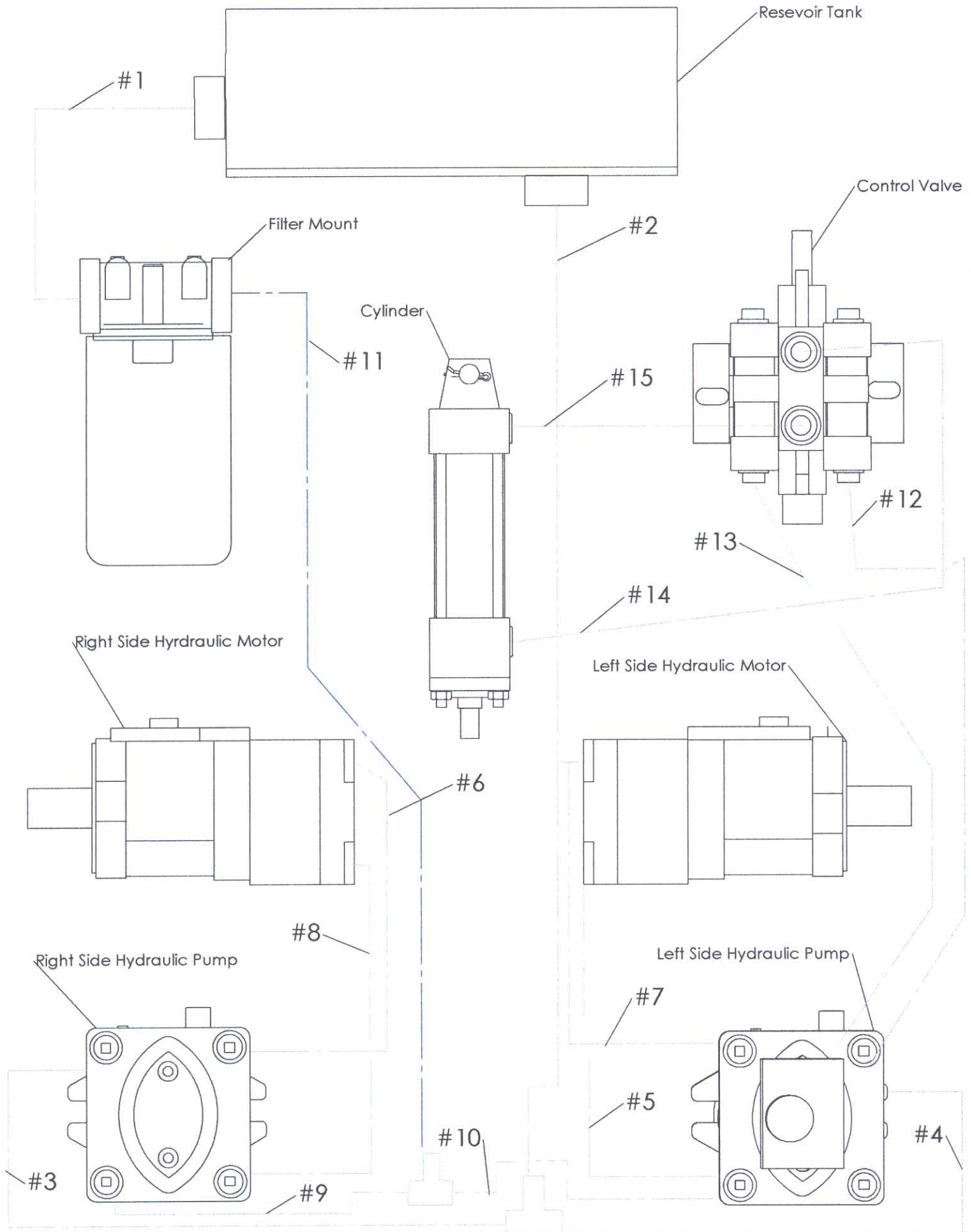
KEY	PART NO.	QTY/PER SHEET	DESCRIPTION
1	400204	1	TINE MOUNT FRAME
2	500041	12	3/8" LOCK NUT
3	100155	4	BEARING w/COLLAR, 1"-3 BOLT
4	500043	6	3/8" x 1" BOLT
5	300123	2	TINE SPACER
6	200009	2	SPROCKET w/1" HUB, 40x30
7	700031	2	TINE DISC SHAFT ASSEMBLY
8	500003	2	1/4" HALF MOON KEY
9	100032	36	TINE
10	500146	6	3/8" x 1-1/2" BOLT
11	100383	2	BEARING w/SET SCREWS, 1"-3 BOLT
12	100384	4	NYLON WASHER
13	500169	72	5/16" LOCK NUT
14	400221	2	TINE DISC w/HUB WELDED ON
15	500001	2	1/4" X 28 GREASE FITTING
16	500147	72	5/16" X 1-1/2" BOLT
17	200046	1	TINE SHAFT
18	100430	4	MR16RS BEARING

HOSES AND ADAPTERS DESCRIPTION



KEY	PART NO.	QTY/PER SHEET	DESCRIPTION	KEY	PART NO.	QTY/PER SHEET	DESCRIPTION
1	600042	1	#1 HOSE & FITTINGS	23	100396	3	6MB-6MJ90 FITTING
2	600047	1	#2 HOSE & FITTINGS	24	100411	1	3/8" 2 WIRE HOSE w/2-6FJX45 ENDS
3	600048	1	#3 HOSE & FITTINGS	25	100407	1	1/2" 2 WIRE HOSE w/1-8FJX & 1-8FJX45 ENDS
4	600049	1	#4 HOSE & FITTINGS	26	100391	3	8MJ-8MJ FITTING
5	600057	1	#5 HOSE & FITTINGS	27	100372	4	10MB-8MJ FITTING
6	600051	1	#6 HOSE & FITTINGS	28	100412	1	1/2" 2 WIRE HOSE w/2-8FJX45 ENDS
7	600058	1	#7 HOSE & FITTINGS	29	100406	1	1/2" 2 WIRE HOSE w/2-8FJX45 ENDS
8	600052	1	#8 HOSE & FITTINGS	30	100413	1	1/2" 2 WIRE HOSE w/1-8FJX & 1-8FJX45
9	600053	1	#9 HOSE & FITTINGS	31	100408	1	3/8" 2 WIRE HOSE w/2-6FJX ENDS
10	600059	1	#10 HOSE & FITTINGS	32	100394	1	3/8" 2 WIRE HOSE w/2-6FJX ENDS
11	600054	1	#11 HOSE & FITTINGS	33	100414	1	1/2" 2 WIRE HOSE w/2-8FJX ENDS
12	600055	1	#12 HOSE & FITTINGS	34	100400	3	6MJ-6MB FITTING
13	600060	1	#13 HOSE & FITTINGS	35	100415	1	3/8" 2 WIRE HOSE w/1-6FJX90M & 1-6FJX45 ENDS
14	600056	1	#14 HOSE & FITTINGS	36	100401	2	6MJ-4MB45 FITTING
15	600050	1	#15 HOSE & FITTINGS	37	100410	1	3/8" 2 WIRE HOSE w/1-6FJX & 1-8FJX ENDS
16	100395	3	1" x 3/4" BLK BUSHING	38	100398	2	8MJ-6MB FITTING
17	100392	2	8MJ-12MP FITTING	39	100409	1	3/8" 2 WIRE HOSE w/16FJX90M & 1-6FJX45 ENDS
18	100402	1	1/2" 2 WIRE HOSE w/2-8FJX ENDS	40	100405	1	3/8" 2 WIRE HOSE w/1-8FJX & 1-6FJX ENDS
19	100393	3	8-MJ-12MP90 FITTING	41	100399	1	6MJ-6B45 FITTING
20	100403	1	3/8" 2 WIRE HOSE w/2-8FJX ENDS	42	100431	1	FLOW E-Z FILTER (SEE NEXT PAGE FOR DESC)
21	100397	2	6MJ-6MJ-8MJ TEE	43	100432	1	8MJ-8MP90 FITTING
22	100404	1	3/8" 2 WIRE HOSE w/2-6FJX45 ENDS				

HYDRAULIC HOSES DESCRIPTION



See The Complete Line of Turf Care Products From *CLASSEN*

COMPACT AERATORS

CA-18H
CA-18B

SPLIT DRIVE AERATORS

TA-25D
TA-17D
SA-25

TURF AERATORS

TA-19D
TA-26D

TOW/3PT AERATORS

48RT
60RT
72RT

3 PT AERATORS

48R
60R
72R
84R

SOD CUTTERS

SC-12
SC-18
SC-20
SC-24

TURF RAKES

TR-20H
TR-20B
TRC-20H
TRC-20B
TRS-20H
TRS-20B

TURF SEEDERS

TS-20H
TS-20B
TSS-20H
TSS-20B

DRILL SEEDER

DS-20

TRAILERS

AST
SAT

Classen reserves the right to make changes or add improvements to its products at any time without incurring any obligation to make such changes to products manufactured previously. Classen, or its distributors and dealers, accept no responsibility for variations which may be evident in the actual specifications of its products and the statements and descriptions contained in this publication.

CLASSEN MFG., INC.
1401 LOGAN STREET
P.O. BOX 2401
NORFOLK, NE 68702
402-371-2294

www.classen-mfg.com FAX 402-371-3602

ALL RIGHTS RESERVED PRINTED IN U.S.A.

CLASSEN.
MANUFACTURING, INC.